



Lantern™ Fixed Wireless Access (FWA)

Airgain's outdoor 5G Lantern™ Fixed Wireless Access (FWA) device has integrated best-in-class antennas with a 5G FR1 modem covering 617-4200 MHz. It is a robust Gigabit outdoor FWA device with IP67 rating that comes bundled with a patent-pending easy installation kit that removes the need for costly professional installation and a cloud-based management tool that allows enterprise users to visualize and track the behavior of each device. The easy installation kit includes a mobile app that allows you to observe the real-time signal quality and adjust the direction of the device to maximize the signal strength.

FEATURES

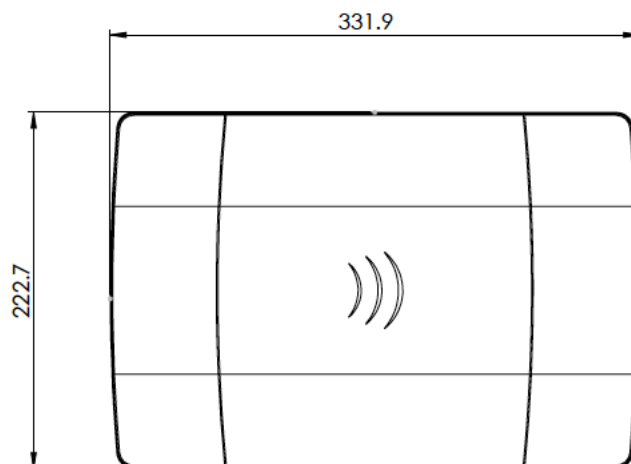
- 3GPP Release 16 compliant
- Supports LTE and 5G NR modes
- Up to 4x4 MIMO and 256QAM on downlink
- Supports Power over Ethernet (POE)

ADVANTAGES

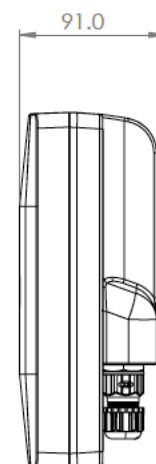
- No professional installation required
- Ruggedized for long outdoor use
- Reserved eSIM makes connectivity simple
- Manage multiple devices from a single, cloud based tool

DIMENSIONS (in mm)

Front View



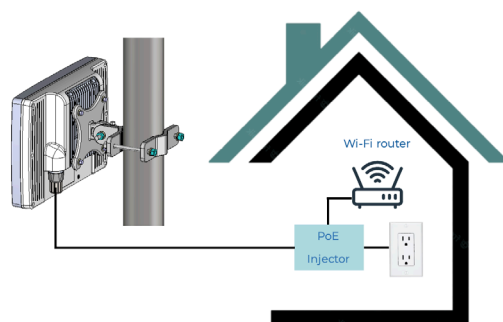
Side View



TECHNICAL SPECIFICATIONS

MECHANICAL

| | |
|-----------------------|--|
| Dimensions | 331.9mm x 222.7mm x 91.0mm |
| Weight | 2.1 kg (FWA) + 0.8 kg (Mounting Bracket) |
| Waterproof | IP67 |
| Operating Temperature | -30 ~ +55 °C |
| Operating Humidity | 5~95 % |



ELECTRICAL

| | | |
|--------------------|---|---|
| 5G NR Module | RG520N-NA (North America) | |
| NR BB Chipset | SDX62 (3GPP Rel-16) | |
| LAN Port | 2.5 Gbps LAN + PoE (x1) | |
| Supported Bands | 5G | n2/n5/n7/n12/n13/n14/n25/n26/n29/n30/n38/n41/n48/n66/n70/n71/n77/n78 |
| | LTE-FDD | B2/B4/B5/B7/B12/B13/B14/B17/B25/B26/B29/B30/B66/B71 |
| | LTE-TDD | B38/B41/B42/B43/B48 |
| MIMO | 5G | DL: n2/n5/n7/n12/n14/n25/n29/n30/n38/n41/n48/n66/n70/n71/n77/n78 (4x4) |
| | | UL: n38/n41/n77/n78 (2x2, only in SA mode) |
| | LTE | DL: B2/B4/B5/B7/B12/B13/B14/B17/B25/B26/B29/B30/B38/B41/B42/B43/B48/B66/B71 (4x4) |
| BT/Wi-Fi | 2.4 GHz (1x1) | |
| GNSS | GPS/GLONASS/BeiDou/Galileo | |
| Antenna (LTE & 5G) | LB (617-960 MHz): Omni-directional (Gain ≤ 3.0 dBi) | |
| | HB (1710-2690 MHz): Directional (Gain ≤ 9.2 dBi) | |
| | UHB (3300-4200 MHz): Directional (Gain ≤ 11.8 dBi) | |
| SIM | 4FF Nano SIM and eSIM (reserved) | |